

2-Bin Modular Bin Store

Approximate assembly time: 7-8 hours*
Lead time will vary depending on level of experience.



Before you begin

Owner's Manual

Prior to installation, it is important that you contact your local government authority to determine if building approval is required. Study and understand this owner's manual. Important information and helpful tips will make your construction easier and more enjoyable.

Assembly instructions

Instructions are supplied in this manual and contain all appropriate information for your building model. Review all instructions before you begin. During assembly, follow the step sequence carefully for correct results. Please be aware: **this unit takes two people about one full day to complete.**

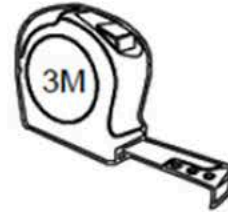
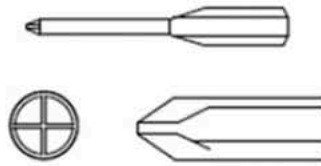
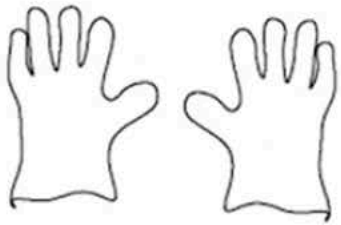
Parts

Check to be sure that you have all the necessary parts for the building.

Separate contents of the carton by the part number while reviewing parts list.

Familiarize yourself with the hardware and fasteners for easier use during construction. These are packaged within the carton. Note that extra fasteners have been supplied for your convenience.

Tools that will assist you with assembly



Use heavy duty gloves when handling steel sheets & flashings

Plan ahead!



Watch the weather:

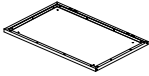
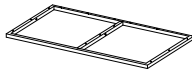
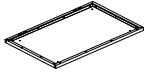
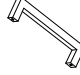
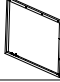




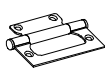










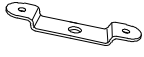

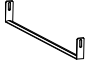

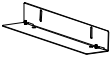

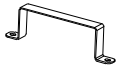



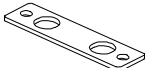






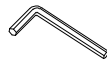


Please be sure the day you select for installation is dry and calm.

DO NOT attempt to assemble your shed in windy weather because of risk of damage to panels, or personal injury. Be careful of wet or muddy ground.

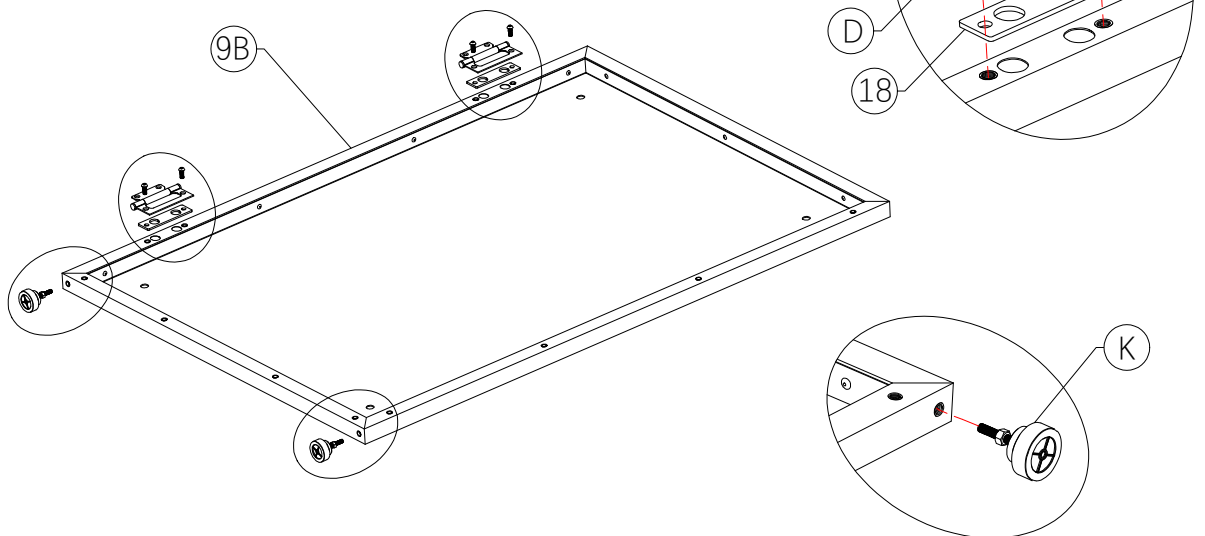
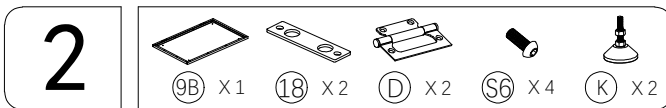
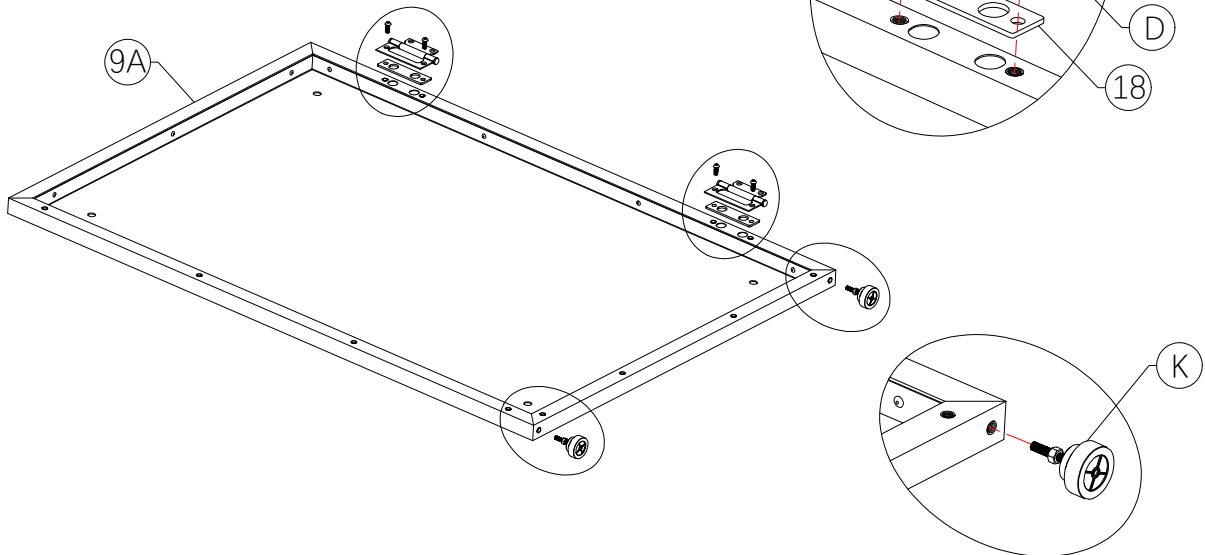
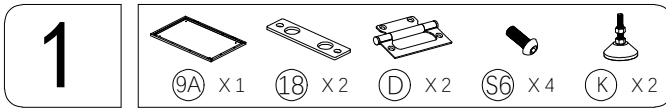
Teamwork:

Whenever possible, two or more people should work together to assemble the building. One person can position parts or panels while the other is able to handle the fasteners and the tools.

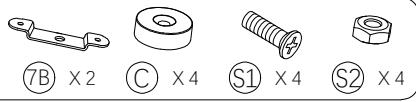
ASSEMBLY INSTRUCTIONS

Item no	Reference Image	Qty	Item no	Reference Image	Qty
9A		X 1	25		X 1
9B		X 1	15		X 4
4B		X 1	16		X 4
2A		X 1	C		X 4
2B		X 1	D		X 8
23		X 1	F8		X 12
3		X 2	K		X 6
5		X 2	R		X 2
6A		X 2	S		X 2
6B		X 2	H6		X 15
7B		X 2	S6		X 74
8		X 4	S7		X 6
10		X 4	S9		X 71
12		X 2	S1		X 4
17		X 2	S2		X 4
18		X 4	S4		X 12
20R		X 1	S5		X 12
20L		X 1	F7		X 8
21L		X 1			X 1
21R		X 1			X 1

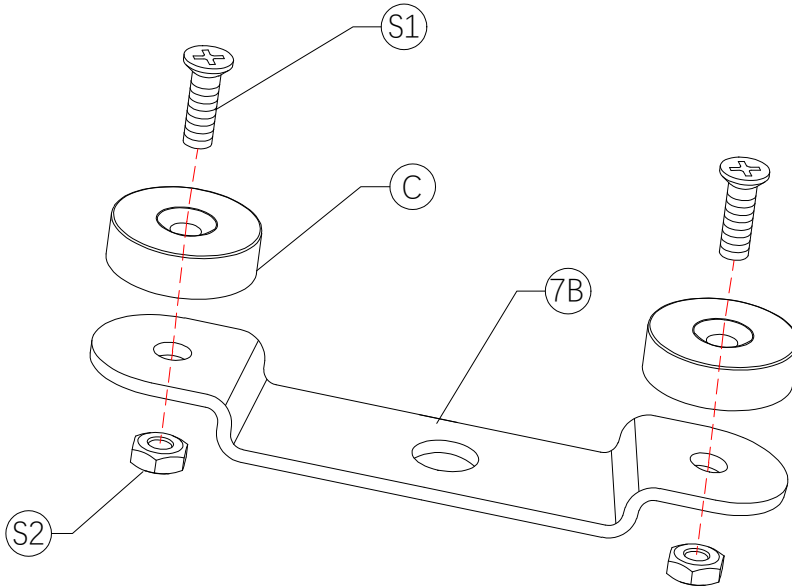
ASSEMBLY INSTRUCTIONS



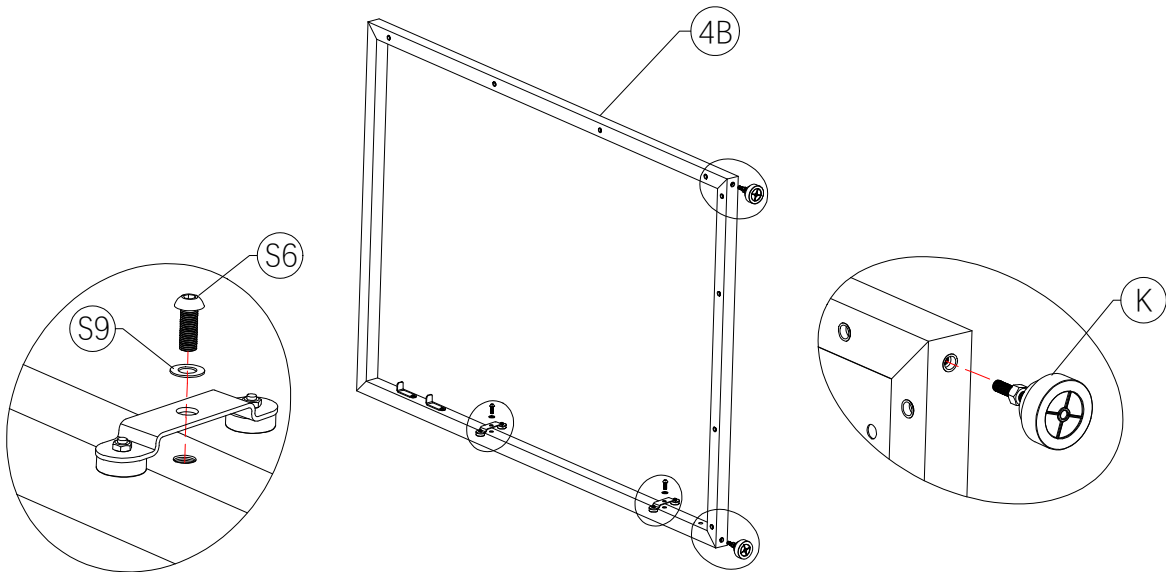
3



X 2



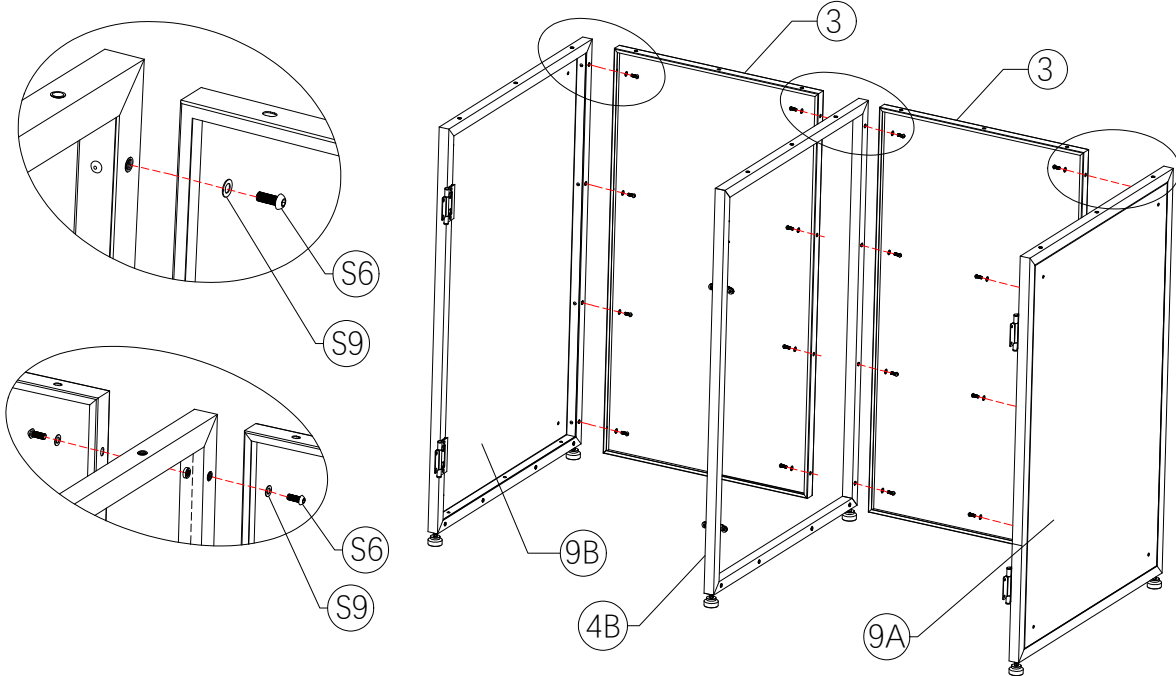
4



ASSEMBLY INSTRUCTIONS

5

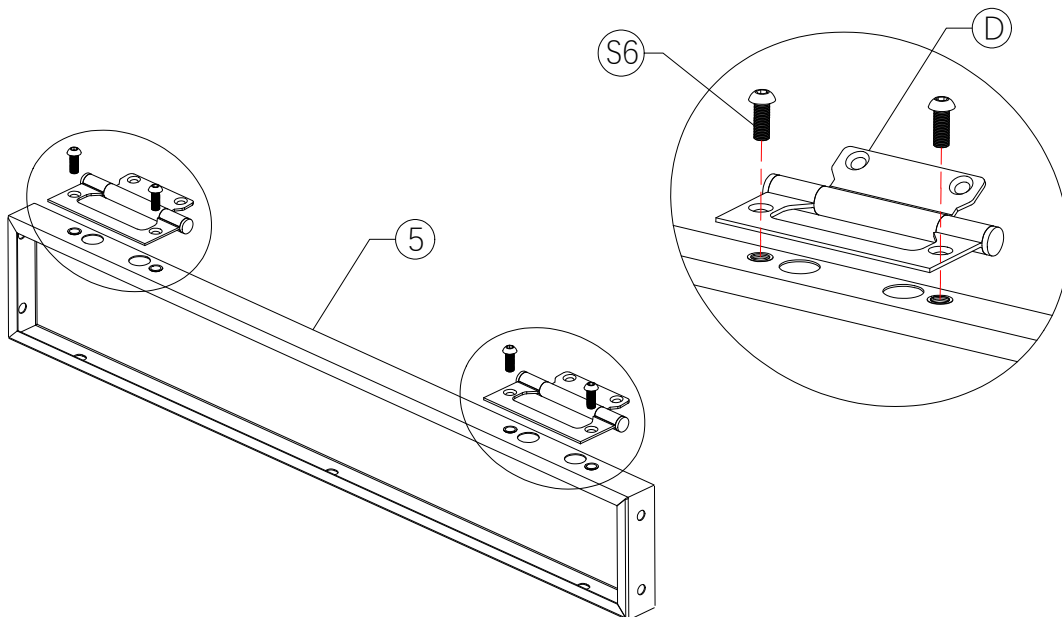
③ X 2 S6 X 16 S9 X 16



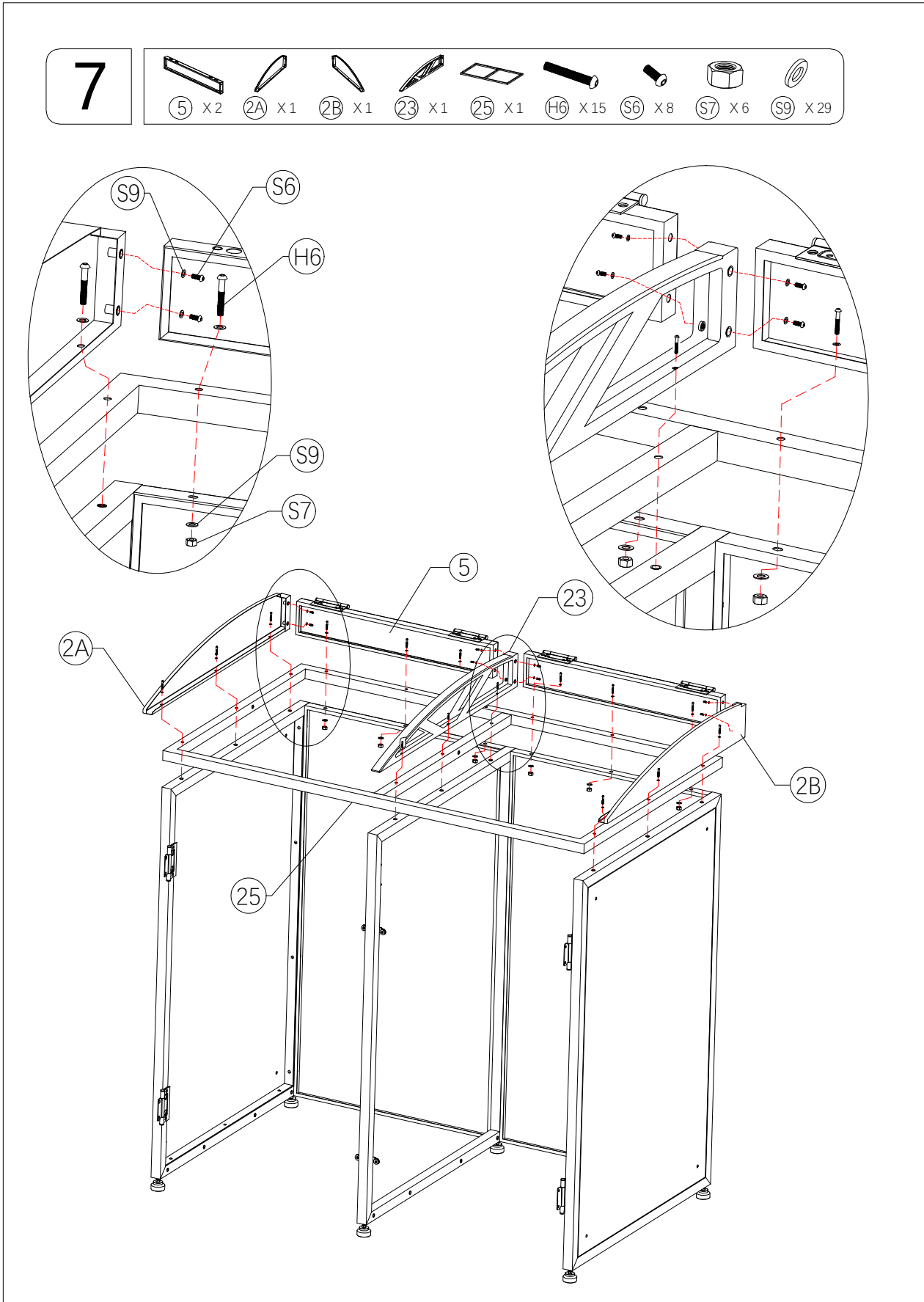
6

⑤ X 2 D X 4 S6 X 8

X 2

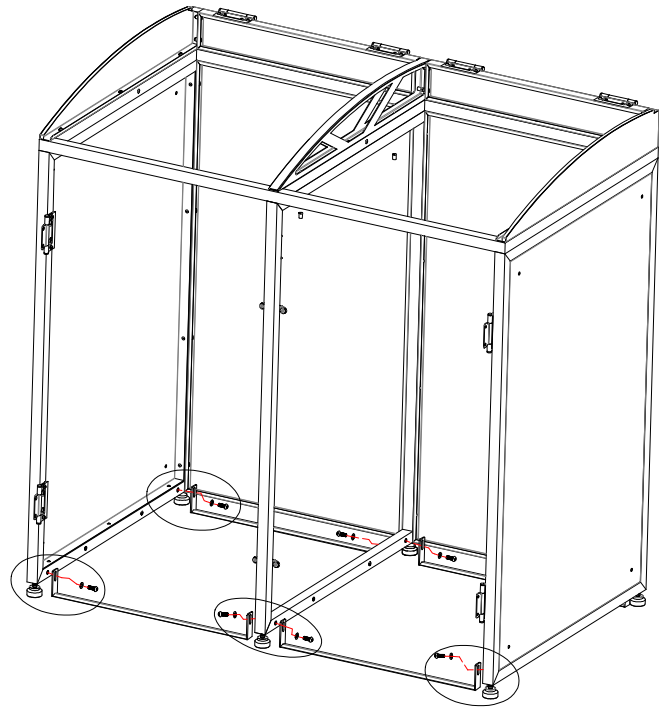
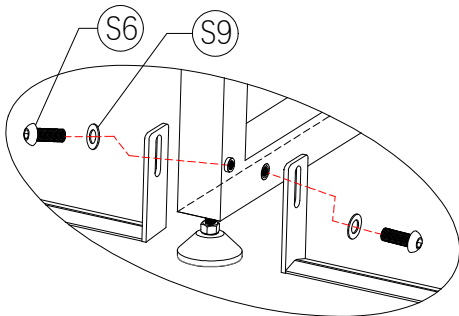
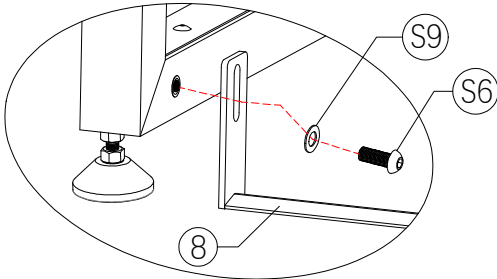


ASSEMBLY INSTRUCTIONS



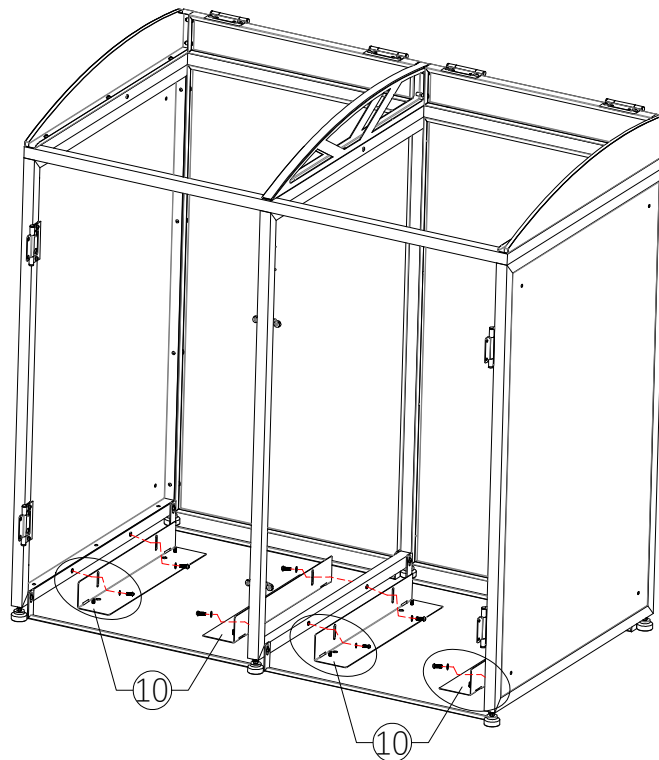
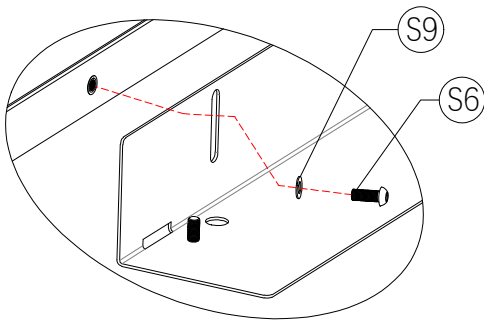
8

 X4
  X8
  X8



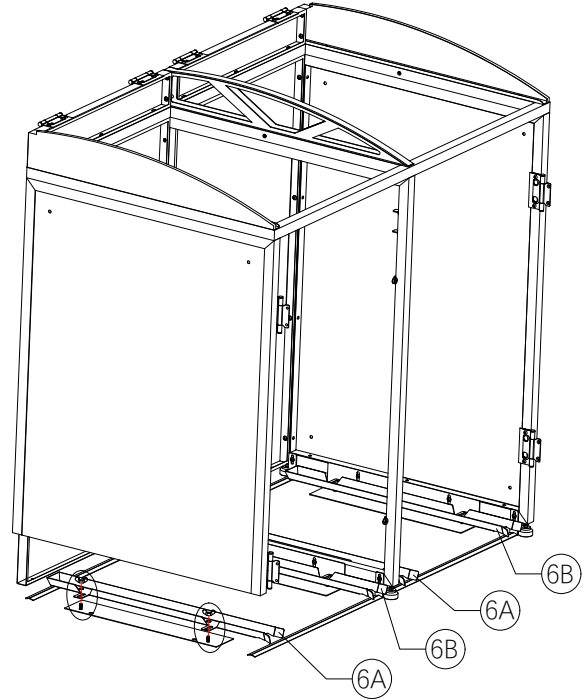
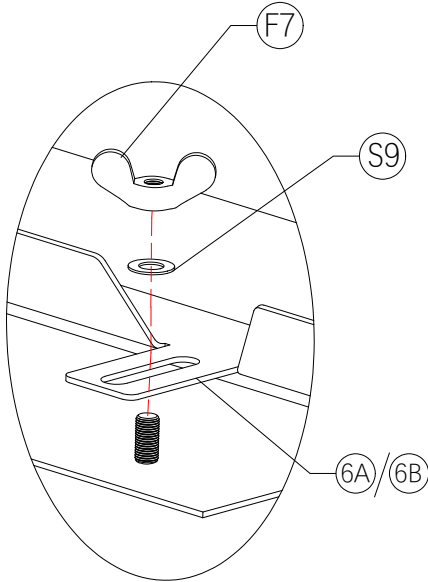
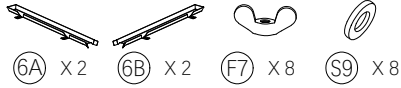
9

 X4
  X8
  X8

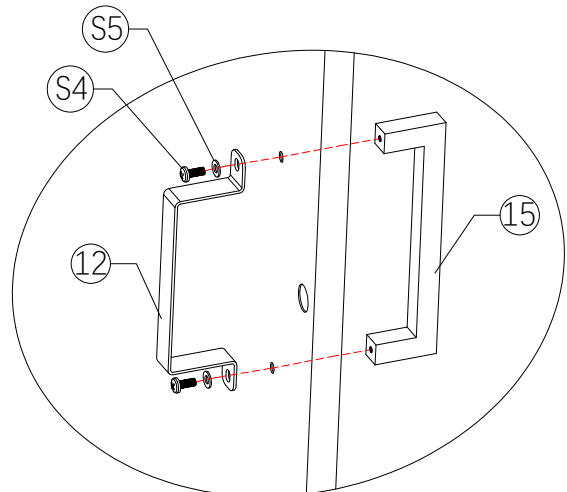
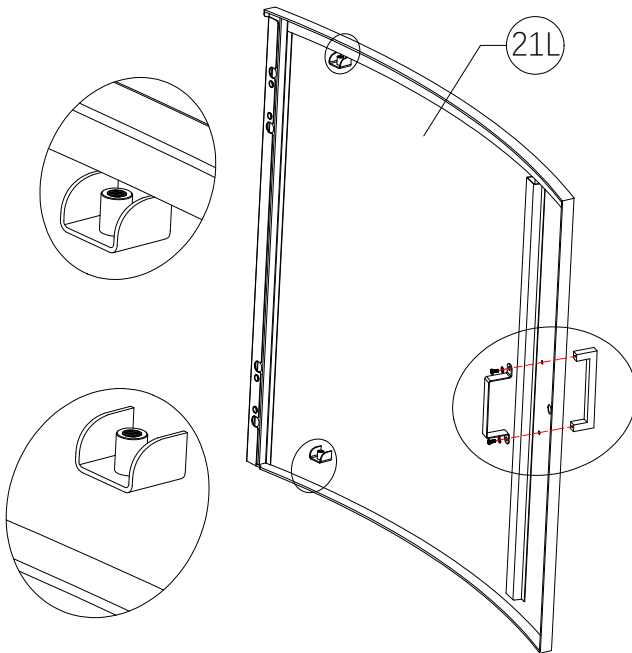
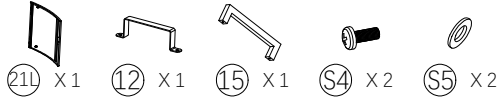


ASSEMBLY INSTRUCTIONS

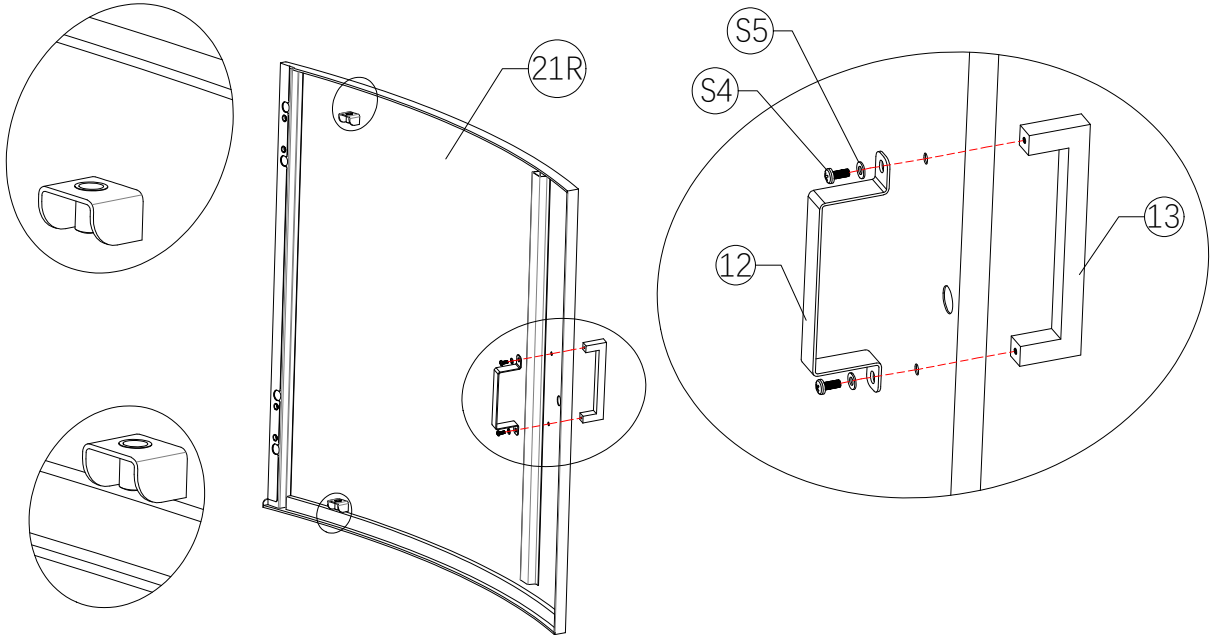
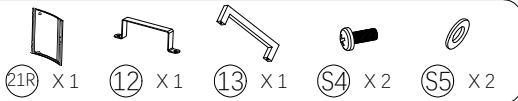
10



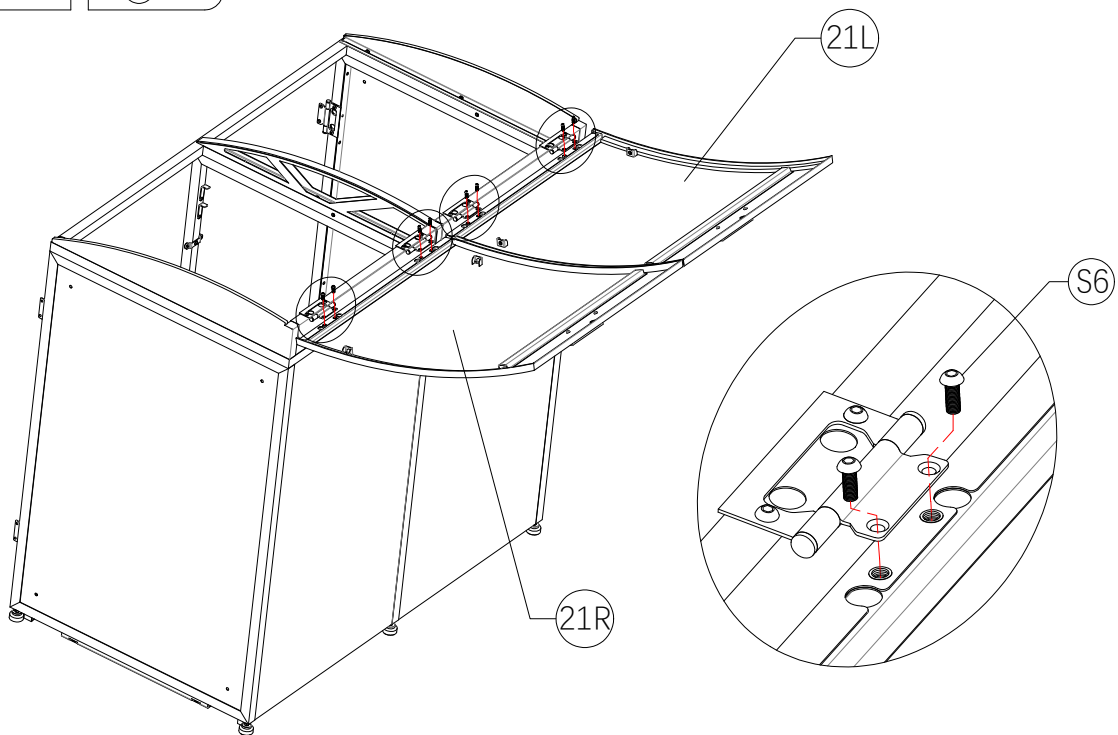
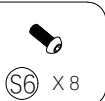
11



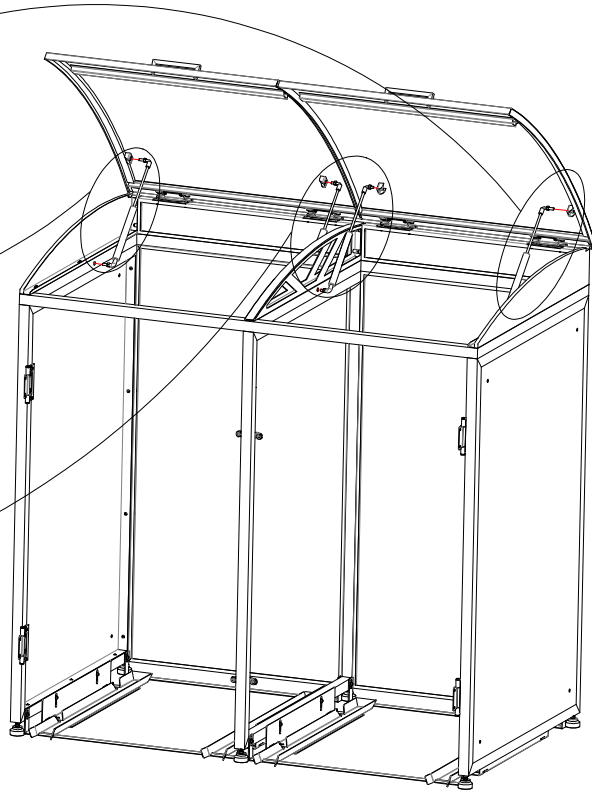
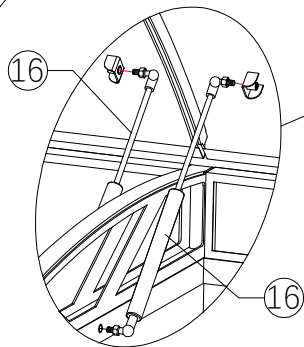
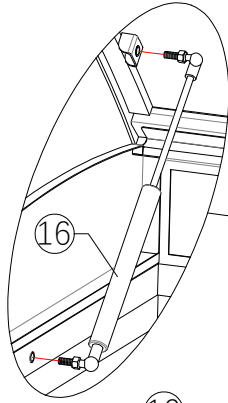
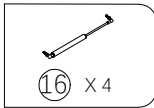
12



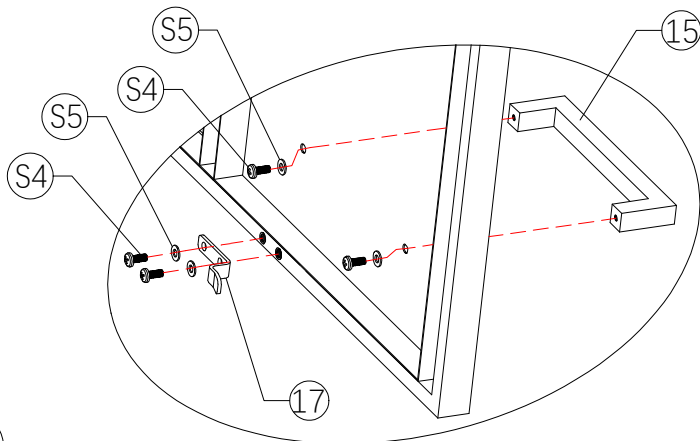
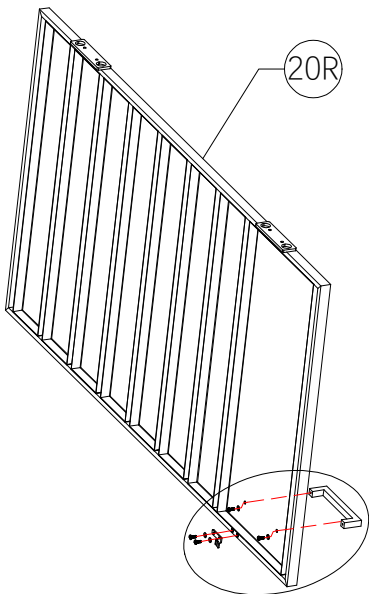
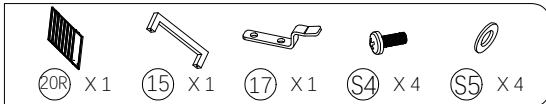
13







14

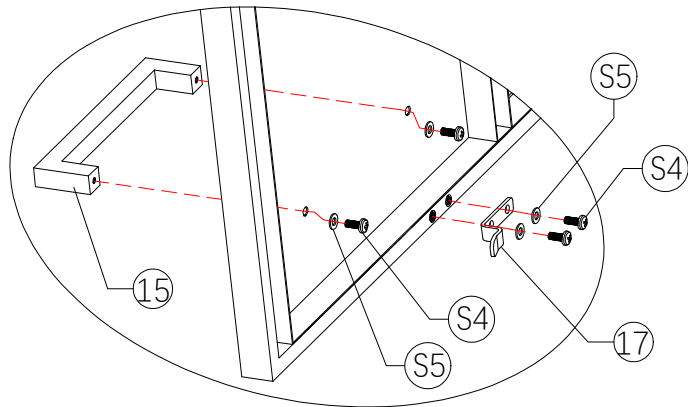
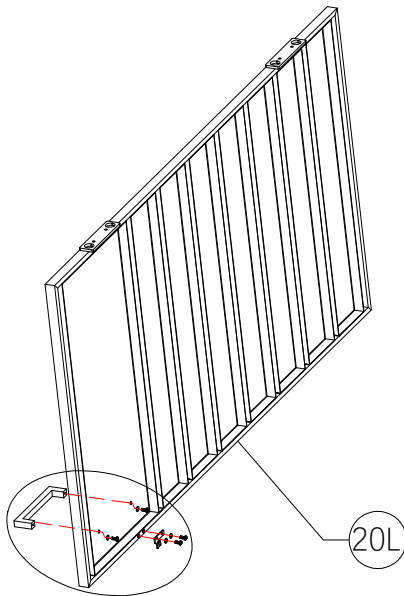


15



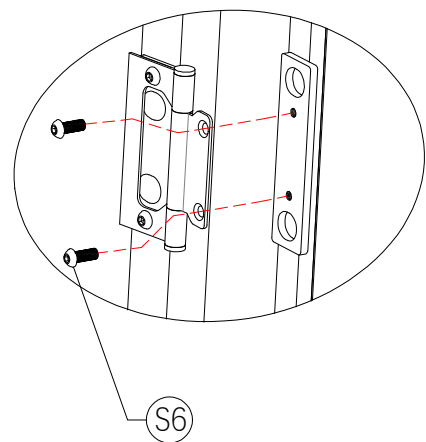
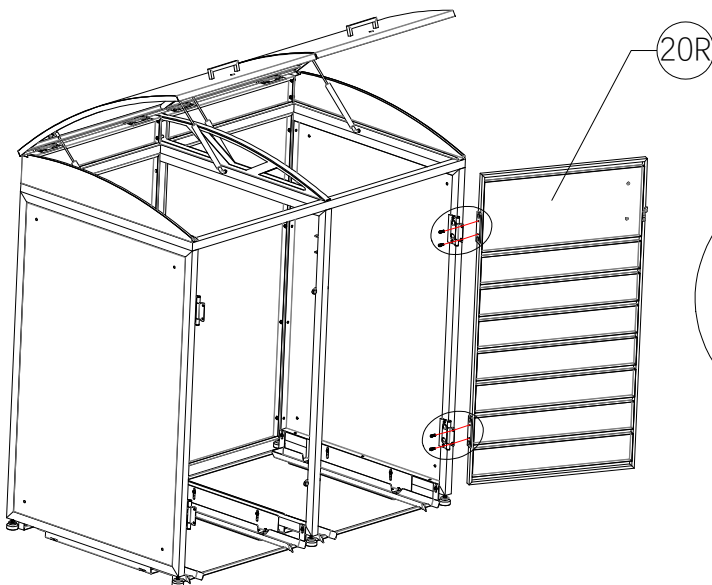
16

-  20L x1
-  15 x1
-  17 x1
-  S4 x4
-  S5 x4

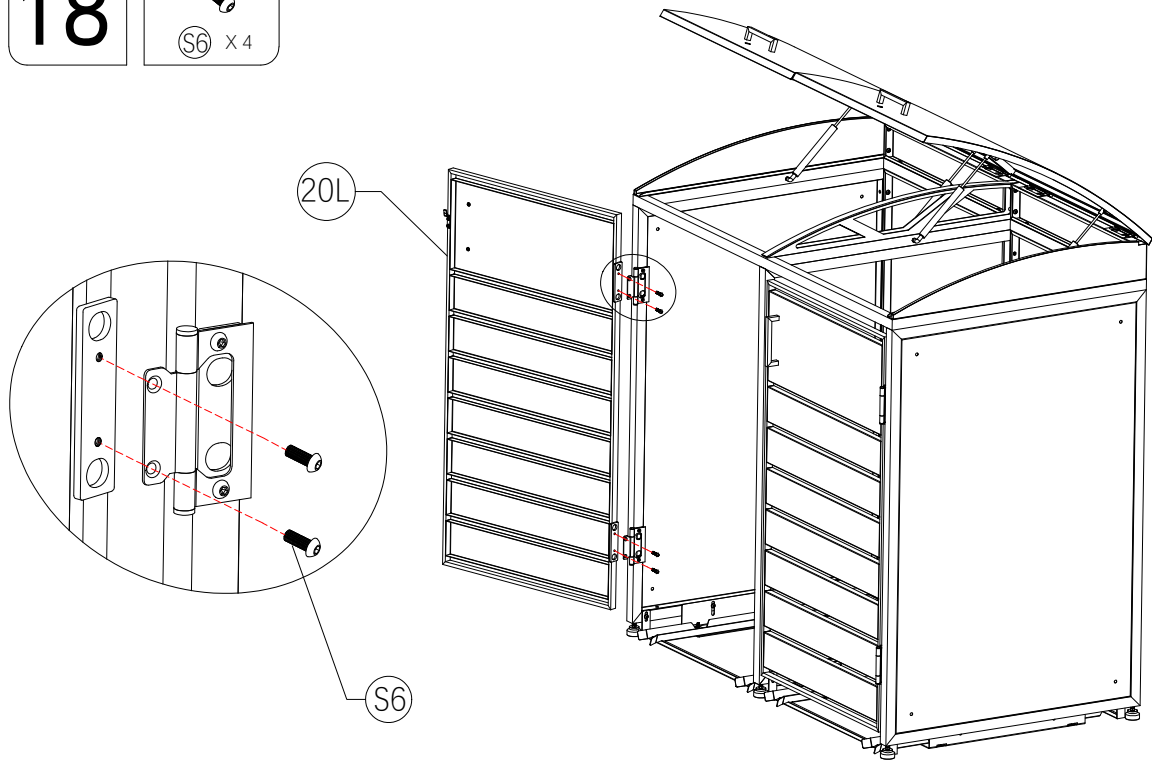
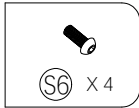


17

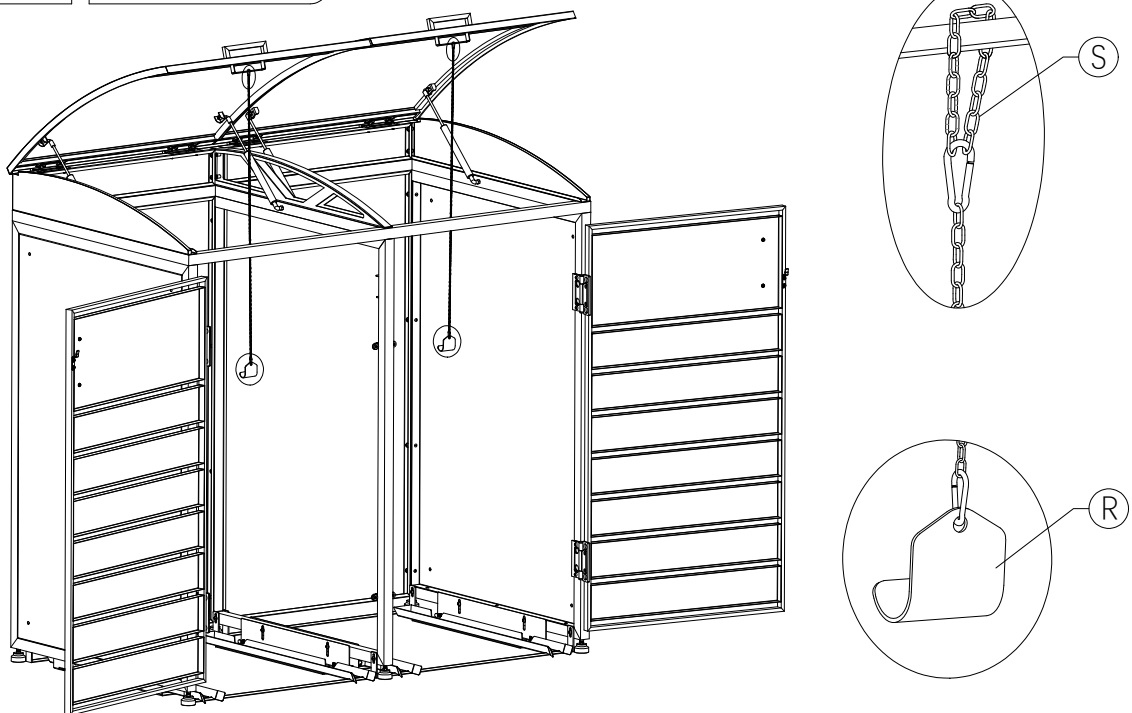
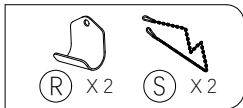
-  S6 x4



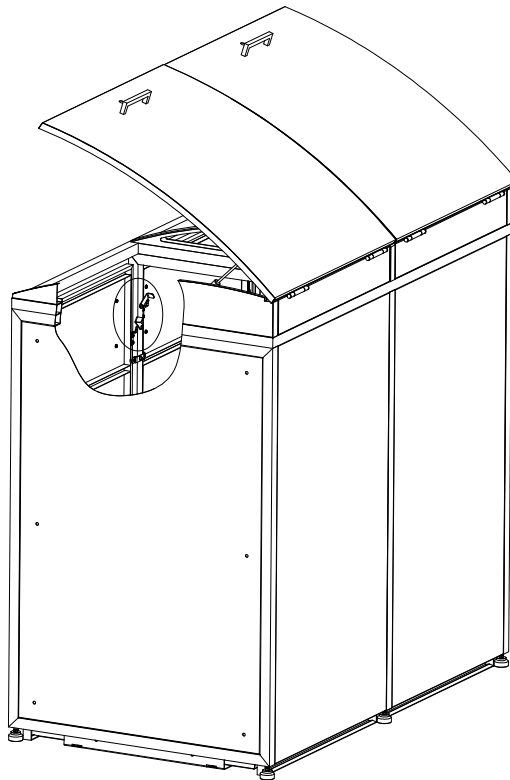
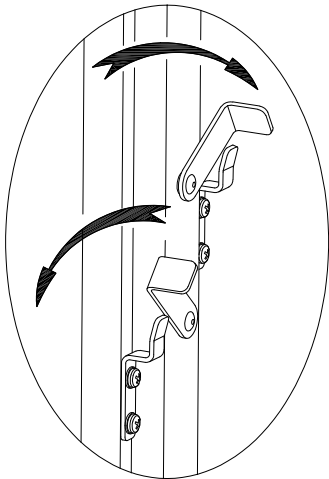
18



19



20



21

